

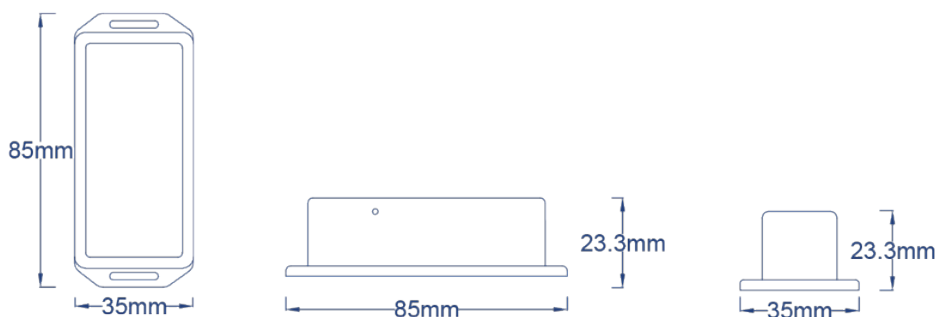
## SKYTAG1 LoRaWAN TAG

### Product Description

Skysens SkyTag1 is smart tag capable of broadcasting LoRaWAN signal which enables location tracking without GPS chipset needs with around 150 m - 75 m accuracy depending on the LoRaWAN network provider. Easy integration with other platforms. Cost-effective, compact, water resistant. Smart tracking algorithm with accelerometer. Optional Barometric pressure sensor for altitude calculation.



- Equipped with accelerometer
- LoRaWAN compliant
- Low power consumption compared to other technologies
- Easy attachment with accessories
- Excellent long-term stability
- LED interface
- Changeable sensor reading intervals from the network
- Single Pin Button For Start-Stop-Restart
- Ready with Software Application



Dimensions	35 x 85 x 23.3 mm	Available Frequencies	All
Weight	100 gr (apprx)	Working Range	0%-99% RH -30 °C +80 °C
Casing	ABS		
Antenna	+0.5 dBi internal		
Battery	3V CR2032 Coin Battery		
Expected Battery Life	min 1 year with 30 min interval		

